

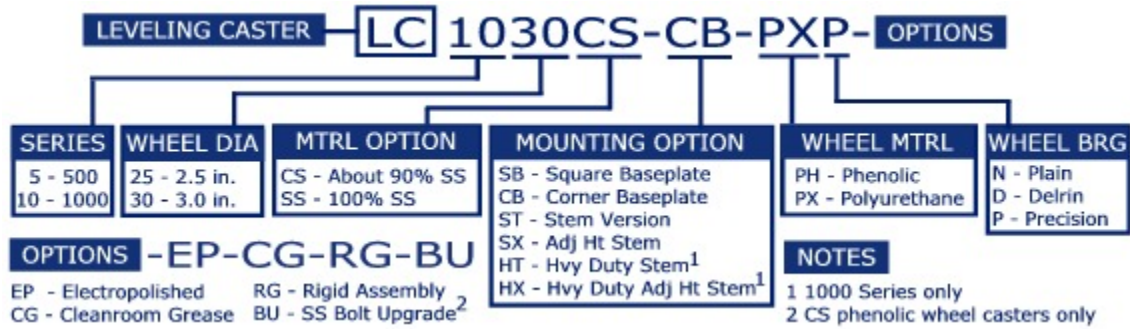
**CLICK on any of the page numbers
to jump to that location within the catalog**

Page

<u>1-2</u>	<u>500 SERIES LEVELING CASTERS</u>
<u>3-4</u>	<u>1000 SERIES LEVELING CASTERS</u>
<u>5-6</u>	<u>500 SERIES SWIVEL CASTERS</u>
<u>7-8</u>	<u>1000 SERIES SWIVEL CASTERS</u>
<u>9-10</u>	<u>1/2-13 LEVELERS (1/2 IN. STUD)</u>
<u>11-12</u>	<u>5/8-11 LEVELERS (5/8 IN. STUD)</u>
<u>13</u>	<u>11/16-12 LEVELERS (11/16 IN. STUD)</u>
<u>13-14</u>	<u>1/2-13 LEVELER MOUNTS</u>
<u>15-16</u>	<u>5/8-11 LEVELER MOUNTS</u>
<u>16</u>	<u>SEISMIC RESTRAINTS</u>

[BACK TO TOP](#)

500 SERIES LEVELING CASTERS



PART NO.	DESCRIPTION
LC525CS-SB-PHN	CS Option, Square Baseplate, 2.5in Phenolic Whls, Plain Brg
LC525CS-SB-PXP	CS Option, Square Baseplate, 2.5in Poly Whls, Prec Brg
LC525CS-CB-PHN	CS Option, Corner Baseplate, 2.5in Phenolic Whls, Plain Brg
LC525CS-CB-PXP	CS Option, Corner Baseplate, 2.5in Poly Whls, Prec Brg
LC525CS-ST-PHN	CS Option, Stem Version, 2.5in Phenolic Whls, Plain Brg
LC525CS-ST-PXP	CS Option, Stem Version, 2.5in Poly Whls, Prec Brg
LC525CS-SX-PHN	CS Option, Adj Height Stem, 2.5in Phenolic Whls, Plain Brg
LC525CS-SX-PXP	CS Option, Adj Height Stem, 2.5in Poly Whls, Prec Brg
LC525SS-SB-PHN	SS Option, Square Baseplate, 2.5in Phenolic Whls, Plain Brg
LC525SS-SB-PXD	SS Option, Square Baseplate, 2.5in Poly Whls, Delrin Brg
LC525SS-SB-PXP	SS Option, Square Baseplate, 2.5in Poly Whls, Prec Brg
LC525SS-CB-PHN	SS Option, Corner Baseplate, 2.5in Phenolic Whls, Plain Brg
LC525SS-CB-PXD	SS Option, Corner Baseplate, 2.5in Poly Whls, Delrin Brg
LC525SS-CB-PXP	SS Option, Corner Baseplate, 2.5in Poly Whls, Prec Brg
LC525SS-ST-PHN	SS Option, Stem Version, 2.5in Phenolic Whls, Plain Brg
LC525SS-ST-PXD	SS Option, Stem Version, 2.5in Poly Whls, Delrin Brg
LC525SS-ST-PXP	SS Option, Stem Version, 2.5in Poly Whls, Prec Brg
LC525SS-SX-PHN	SS Option, Adj Height Stem, 2.5in Phenolic Whls, Plain Brg
LC525SS-SX-PXD	SS Option, Adj Height Stem, 2.5in Poly Whls, Delrin Brg
LC525SS-SX-PXP	SS Option, Adj Height Stem, 2.5in Poly Whls, Prec Brg

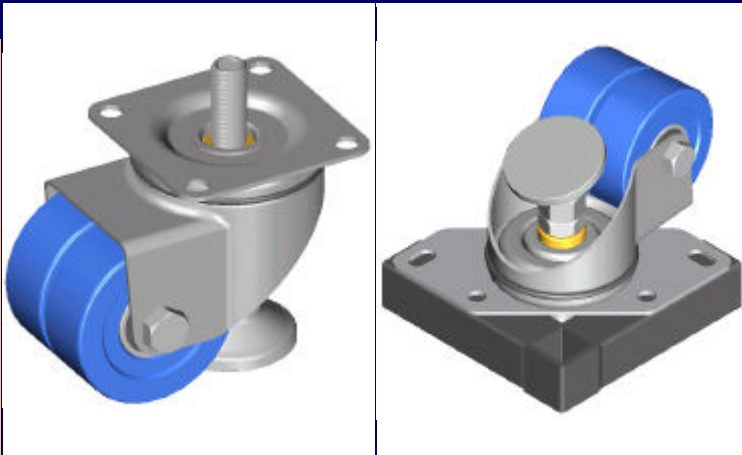
500 SERIES LEVELING CASTERS (150-500 LBS)

US Patent 6,637,071

The 500 Series leveling casters are engineered for light to medium duty applications where mobility and leveling are required. Our leveling casters consist of a standard industrial caster, a threaded insert (baseplate versions) and a leveler that must be purchased separately. For more information about the high quality features and mounting options that are offered with these products, see the Overview panel.

Quality Features

- tempered stainless construction is stronger with 30-50% less weight
- absorbs up to 65% more shock than other casters
- smooth, lustrous stainless finish
- dual wheels provide differential action for improved mobility and maximum floor protection
- o-ring sealed upper thrust bearings
- CS Option: 90% stainless with some zinc/nickel plated hardware.
- SS Option: 100% stainless steel with 440C stainless bearings



Specifications

Dimensions in Inches/Pounds. [CAD Files & Spec Sheets](#)

WHEEL DIA	TREAD WIDTH	NO. OF WHEELS	OVERALL HEIGHT	SWIVEL RADIUS	LEVELER STUD SIZE	WHEEL MATERIAL	WHEEL BEARING	LOAD CAPACITY
2.50	2.00	2	3.37	3.15	1/2 - 13	PHENOLIC	PLAIN	500
						POLYURETHANE	DELIN	450
							PRECISION	500

Mounting Options

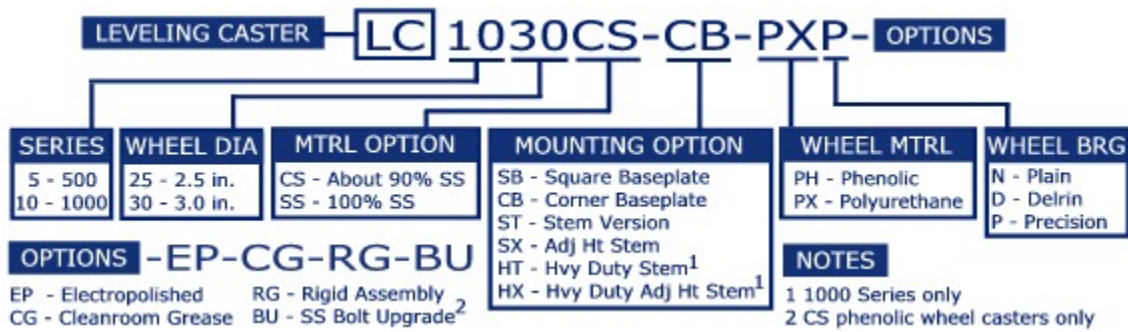
SQUARE BASEPLATE (SB)	CORNER BASEPLATE (CB)	STEM (ST)

NOTES

- the 500 Series Corner Baseplate is designed for mounting on frames with 90 degree corners that are constructed from rectangular or square tubing between 1.0 in. and 1.5 in. in width. It also mounts to many extruded aluminum profiles. See [Mounting Options](#) for an overview.
- for the Stem version, subtract 0.10 in. from the overall height.
- proper support is required for the upper raceway when using the Stem version mounting option.

1000 SERIES LEVELING CASTERS

[BACK TO TOP](#)



PART NO.	DESCRIPTION
LC1030CS-SB-PHN	CS Option, Square Baseplate, 3.0in Phenolic Whls, Plain Brg
LC1030CS-SB-PXP	CS Option, Square Baseplate, 3.0in Poly Whls, Prec Brg
LC1030CS-CB-PHN	CS Option, Corner Baseplate, 3.0in Phenolic Whls, Plain Brg
LC1030CS-CB-PXP	CS Option, Corner Baseplate, 3.0in Poly Whls, Prec Brg
LC1030CS-ST-PHN	CS Option, Stem version, 3.0in Phenolic Whls, Plain Brg
LC1030CS-ST-PXP	CS Option, Stem version, 3.0in Poly Whls, Prec Brg
LC1030CS-SX-PHN	CS Option, Adj Height Stem, 3.0in Phenolic Whls, Plain Brg
LC1030CS-SX-PXP	CS Option, Adj Height Stem, 3.0in Poly Whls, Prec Brg
LC1030CS-HT-PHN	CS Option, Heavy Duty Stem, 3.0in Phenolic Whls, Plain Brg
LC1030CS-HT-PXP	CS Option, Heavy Duty Stem, 3.0in Poly Whls, Prec Brg
LC1030CS-HX-PXP	CS Option, Heavy Duty Adj Ht Stem, 3.0in Poly Whls, Prec Brg
LC1030SS-SB-PHN	SS Option, Square Baseplate, 3.0in Phenolic Whls, Plain Brg
LC1030SS-SB-PXD	SS Option, Square Baseplate, 3.0in Poly Whls, Delrin Brg
LC1030SS-SB-PXP	SS Option, Square Baseplate, 3.0in Poly Whls, Prec Brg
LC1030SS-CB-PHN	SS Option, Corner Baseplate, 3.0in Phenolic Whls, Plain Brg
LC1030SS-CB-PXD	SS Option, Corner Baseplate, 3.0in Poly Whls, Delrin Brg
LC1030SS-CB-PXP	SS Option, Corner Baseplate, 3.0in Poly Whls, Prec Brg
LC1030SS-ST-PHN	SS Option, Stem Version, 3.0in Phenolic Whls, Plain Brg
LC1030SS-ST-PXD	SS Option, Stem Version, 3.0in Poly Whls, Delrin Brg
LC1030SS-ST-PXP	SS Option, Stem Version, 3.0in Poly Whls, Prec Brg
LC1030SS-SX-PHN	SS Option, Adj Height Stem, 3.0in Phenolic Whls, Plain Brg
LC1030SS-SX-PXD	SS Option, Adj Height Stem, 3.0in Poly Whls, Delrin Brg
LC1030SS-SX-PXP	SS Option, Adj Height Stem, 3.0in Poly Whls, Prec Brg
LC1030SS-HT-PHN	SS Option, Heavy Duty Stem, 3.0in Phenolic Whls, Plain Brg

LC1030SS-HT-PXP	SS Option, Heavy Duty Stem, 3.0in Poly Whls, Prec Brg
LC1030SS-HX-PHN	SS Option, Heavy Duty Adj Ht Stem, 3.0in Phenolic Whls, Plain Brg
LC1030SS-HX-PXP	SS Option, Heavy Duty Adj Ht Stem, 3.0in Poly Whls, Prec Brg

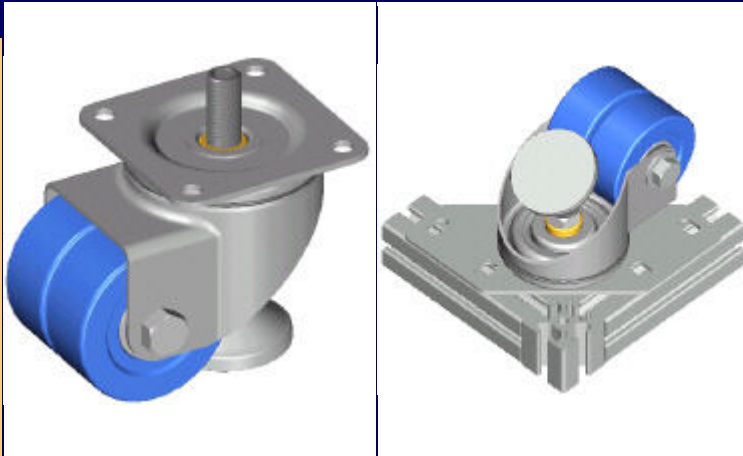
1000 SERIES LEVELING CASTERS (350-1000 LBS)

US Patent 6,637,071

The 1000 Series leveling casters are engineered for medium to heavy duty applications where mobility and leveling are required. Our leveling casters consist of a standard caster, a threaded insert (baseplate versions) and a leveler that must be purchased separately. For more information about the high quality features and mounting options that are offered with these products see the Overview panel.

Quality Features

- tempered stainless construction is stronger with 30-50% less weight
- absorbs up to 65% more shock than other casters
- smooth, lustrous stainless finish
- dual wheels provide differential action for improved mobility and maximum floor protection
- o-ring sealed upper thrust bearings
- CS Option: 90% stainless with some zinc/nickel plated hardware.
- SS Option: 100% stainless steel with 440C stainless bearings

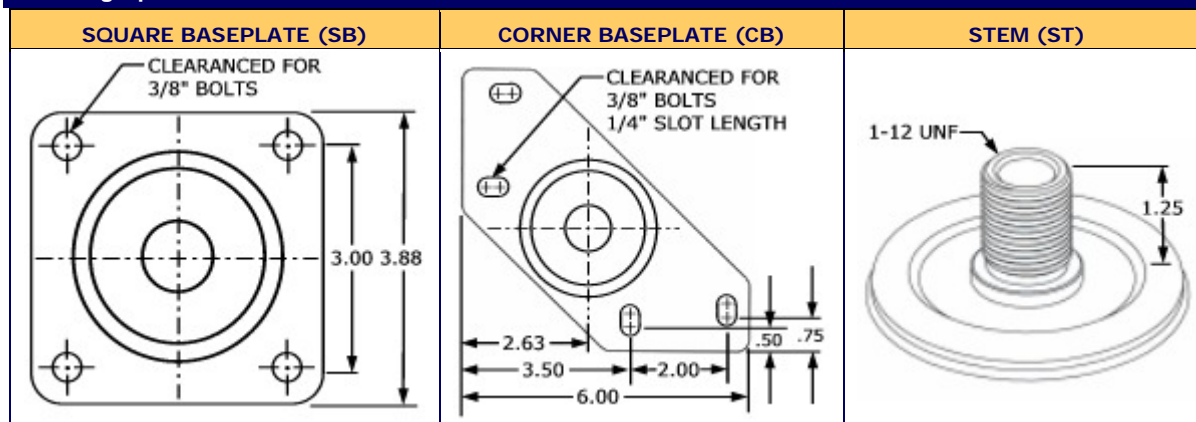


Specifications

Dimensions in Inches/Pounds. [CAD Files & Spec Sheets](#)

WHEEL DIA	TREAD WIDTH	NO. OF WHEELS	OVERALL HEIGHT	SWIVEL RADIUS	LEVELER STUD SIZE	WHEEL MATERIAL	WHEEL BEARING	LOAD CAPACITY
3.00	2.50	2	4.13	3.85	5/8 - 11	PHENOLIC	PLAIN	800
						POLYURETHANE	DELTRIN	900
							PRECISION	1000

Mounting Options

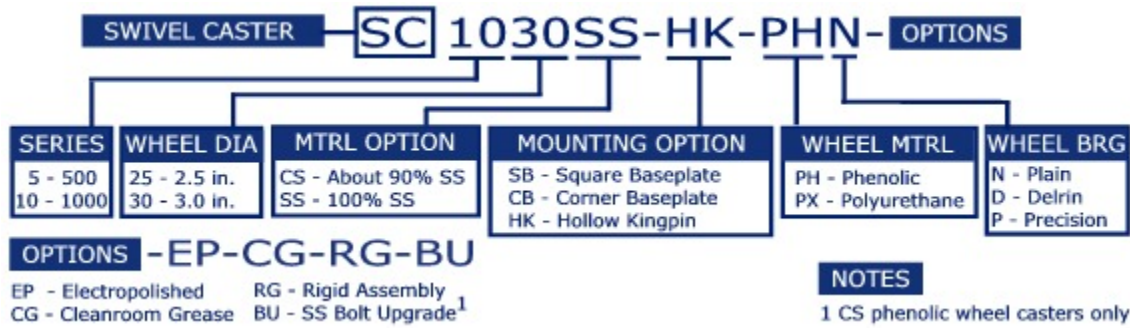


NOTES

- the 1000 Series Corner Baseplate is designed for mounting on frames with 90 degree corners that are constructed from rectangular or square tubing between 1.5 in. and 2.0 in. in width. It also mounts to many extruded aluminum profiles. See [Mounting Options](#) for an overview.
- for the Stem version, subtract 0.13 in. from the overall height.
- proper support is required for the upper raceway when using the Stem version mounting option.

500 SERIES SWIVEL CASTERS

[BACK TO TOP](#)



PART NO.	DESCRIPTION
SC525CS-HK-PHN	CS Option, Hollow Kingpin, 2.5in Phenolic Whls, Plain Brg
SC525CS-HK-PXP	CS Option, Hollow Kingpin, 2.5in Poly Whls, Prec Brg
SC525CS-SB-PHN	CS Option, Square Baseplate, 2.5in Phenolic Whls, Plain Brg
SC525CS-SB-PXP	CS Option, Square Baseplate, 2.5in Poly Whls, Prec Brg
SC525CS-CB-PHN	CS Option, Corner Baseplate, 2.5in Phenolic Whls, Plain Brg
SC525CS-CB-PXP	CS Option, Corner Baseplate, 2.5in Poly Whls, Prec Brg
SC525CS-SX-PHN-350	CS Option, 3.50 in. Adj Height Stem, 2.5in Phenolic Whls, Plain Brg
SC525CS-SX-PXP-350	CS Option, 3.50 in. Adj Height Stem, 2.5in Poly Whls, Prec Brg
SC525CS-SX-PHN-500	CS Option, 5.00 in. Adj Height Stem, 2.5in Phenolic Whls, Plain Brg
SC525CS-SX-PXP-500	CS Option, 5.00 in. Adj Height Stem, 2.5in Poly Whls, Prec Brg
SC525SS-HK-PHN	SS Option, Hollow Kingpin, 2.5in Phenolic Whls, Plain Brg
SC525SS-HK-PXD	SS Option, Hollow Kingpin, 2.5in Poly Whls, Delrin Brg
SC525SS-HK-PXP	SS Option, Hollow Kingpin, 2.5in Poly Whls, Prec Brg
SC525SS-SB-PHN	SS Option, Square Baseplate, 2.5in Phenolic Whls, Plain Brg
SC525SS-SB-PXD	SS Option, Square Baseplate, 2.5in Poly Whls, Delrin Brg
SC525SS-SB-PXP	SS Option, Square Baseplate, 2.5in Poly Whls, Prec Brg
SC525SS-CB-PHN	SS Option, Corner Baseplate, 2.5in Phenolic Whls, Plain Brg
SC525SS-CB-PXD	SS Option, Corner Baseplate, 2.5in Poly Whls, Delrin Brg
SC525SS-CB-PXP	SS Option, Corner Baseplate, 2.5in Poly Whls, Prec Brg
SC525SS-SX-PHN-350	SS Option, 3.50 in. Adj Height Stem, 2.5in Phenolic Whls, Plain Brg
SC525SS-SX-PXD-350	SS Option, 3.50 in. Adj Height Stem, 2.5in Poly Whls, Delrin Brg
SC525SS-SX-PXP-350	SS Option, 3.50 in. Adj Height Stem, 2.5in Poly Whls, Prec Brg
SC525SS-SX-PHN-500	SS Option, 5.00 in. Adj Height Stem, 2.5in Phenolic Whls, Plain Brg
SC525SS-SX-PXD-500	SS Option, 5.00 in. Adj Height Stem, 2.5in Poly Whls, Delrin Brg

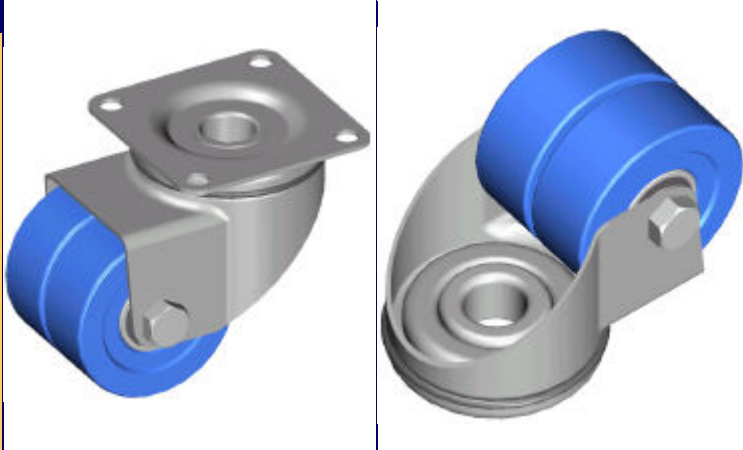
500 SERIES SWIVEL CASTERS (150-500 LBS)

US Patent 7,065,828

The 500 Series line of industrial casters are engineered for light to medium duty applications. They have a super low profile and are interchangeable with our 500 Series leveling casters. For more information about the high quality features and mounting options that are offered with these products, click on the links to the left.

Quality Features

- tempered stainless construction is stronger with 30-50% less weight
- absorbs up to 65% more shock than other casters
- smooth, lustrous stainless finish
- dual wheels provide differential action for improved mobility and maximum floor protection
- o-ring sealed upper thrust bearings
- CS Option: 90% stainless with some zinc/nickel plated hardware.
- SS Option: 100% stainless steel with 440C stainless bearings



Specifications

Dimensions in Inches/Pounds. [CAD Files & Spec Sheets](#)

WHEEL DIA	TREAD WIDTH	NO. OF WHEELS	OVERALL HEIGHT	SWIVEL RADIUS	KINGPIN ID	WHEEL MATERIAL	WHEEL BEARING	LOAD CAPACITY
2.50	2.00	2	3.37	3.15	0.75	PHENOLIC	PLAIN	500
						POLYURETHANE	DELTRIN	450
							PRECISION	500

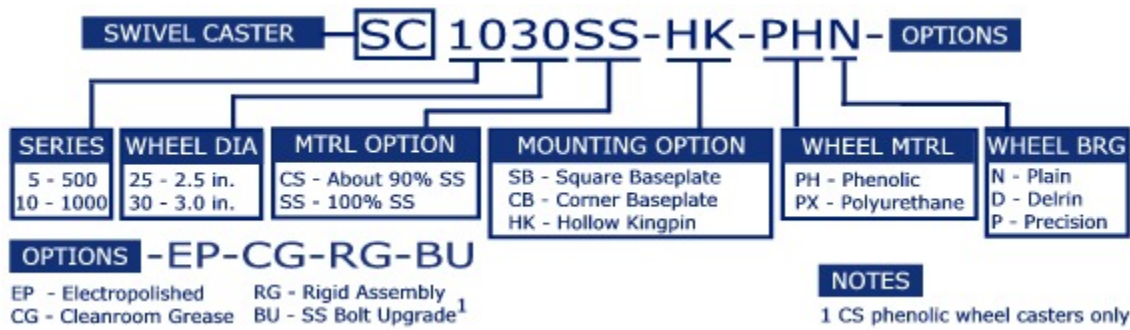
Mounting Options

SQUARE BASEPLATE (SB)	CORNER BASEPLATE (CB)	HOLLOW KINGPIN (HK)
<p>CLEARANCED FOR 5/16" (M8) BOLTS</p> <p>3.00</p> <p>2.37 (60mm)</p>	<p>CLEARANCED FOR 5/16" (M8) BOLTS 1/4" SLOT LENGTH</p> <p>2.00</p> <p>2.50</p> <p>1.50</p> <p>4.38</p> <p>.38</p> <p>.63</p>	<p>KINGPIN ID = 0.75</p> <p>Inserting a bolt through the kingpin ID creates a stem caster of any length.</p>

NOTES

- the 500 Series Corner Baseplate is designed for mounting on frames with 90 degree corners that are constructed from rectangular or square tubing between 1.0 in. and 1.5 in. in width. It also mounts to many extruded aluminum profiles. See [Mounting Options](#) for an overview
- for the Hollow Kingpin version, subtract 0.08 in. from the overall height.
- the Hollow Kingpin version becomes a stem caster of any length by inserting a 3/4" fastener through the Kingpin ID. It is also possible to attach it with a 1/2" bolt by using one of our threaded inserts.
- proper support is required for the upper raceway when using the Hollow Kingpin mounting option.

1000 SERIES SWIVEL CASTERS



PART NO.	DESCRIPTION
SC1030CS-HK-PHN	CS Option, Hollow Kingpin, 3.0in Phenolic Whls, Plain Brg
SC1030CS-HK-PXP	CS Option, Hollow Kingpin, 3.0in Poly Whls, Prec Brg
SC1030CS-SB-PHN	CS Option, Square Baseplate, 3.0in Phenolic Whls, Plain Brg
SC1030CS-SB-PXP	CS Option, Square Baseplate, 3.0in Poly Whls, Prec Brg
SC1030CS-CB-PHN	CS Option, Corner Baseplate, 3.0in Phenolic Whls, Plain Brg
SC1030CS-CB-PXP	CS Option, Corner Baseplate, 3.0in Poly Whls, Prec Brg
SC1030CS-SX-PHN-400	CS Option, 4.00 in. Adj Height Stem, 3.0in Phenolic Whls, Plain Brg
SC1030CS-SX-PXP-400	CS Option, 4.00 in. Adj Height Stem, 3.0in Poly Whls, Prec Brg
SC1030CS-SX-PHN-600	CS Option, 6.00 in. Adj Height Stem, 3.0in Phenolic Whls, Plain Brg
SC1030CS-SX-PXP-600	CS Option, 6.00 in. Adj Height Stem, 3.0in Poly Whls, Prec Brg
SC1030CS-HX-PHN-400	CS Option, 4.00 in. Hvy Duty Adj Ht Stem, 3.0in Phenolic Whls, Plain Brg
SC1030CS-HX-PXP-400	CS Option, 4.00 in. Hvy Duty Adj Ht Stem, 3.0in Poly Whls, Prec Brg
SC1030CS-HX-PHN-600	CS Option, 6.00 in. Hvy Duty Adj Ht Stem, 3.0in Phenolic Whls, Plain Brg
SC1030CS-HX-PXP-600	CS Option, 6.00 in. Hvy Duty Adj Ht Stem, 3.0in Poly Whls, Prec Brg
SC1030SS-HK-PHN	SS Option, Hollow Kingpin, 3.0in Phenolic Whls, Plain Brg
SC1030SS-HK-PXD	SS Option, Hollow Kingpin, 3.0in Poly Whls, Delrin Brg
SC1030SS-HK-PXP	SS Option, Hollow Kingpin, 3.0in Poly Whls, Prec Brg
SC1030SS-SB-PHN	SS Option, Square Baseplate, 3.0in Phenolic Whls, Plain Brg
SC1030SS-SB-PXD	SS Option, Square Baseplate, 3.0in Poly Whls, Delrin Brg
SC1030SS-SB-PXP	SS Option, Square Baseplate, 3.0in Poly Whls, Prec Brg
SC1030SS-CB-PHN	SS Option, Corner Baseplate, 3.0in Phenolic Whls, Plain Brg
SC1030SS-CB-PXD	SS Option, Corner Baseplate, 3.0in Poly Whls, Delrin Brg
SC1030SS-CB-PXP	SS Option, Corner Baseplate, 3.0in Poly Whls, Prec Brg

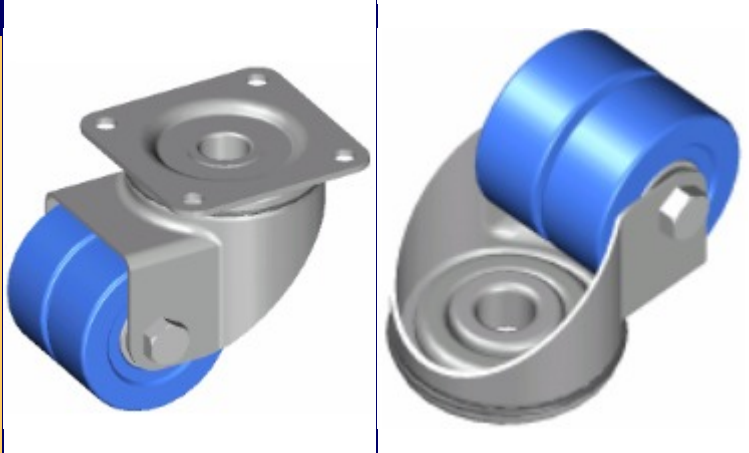
1000 SERIES SWIVEL CASTERS (350-1000 LBS)

US Patent 7,065,828

The 1000 Series industrial casters are engineered for medium to heavy duty applications. These casters have a low profile and are interchangeable with our 1000 Series leveling casters. For more information about the high quality features and mounting options that are offered with these products see the Overview panel.

Quality Features

- tempered stainless construction is stronger with 30-50% less weight
- absorbs up to 65% more shock than other casters
- smooth, lustrous stainless finish
- dual wheels provide differential action for improved mobility and maximum floor protection
- o-ring sealed upper thrust bearings
- CS Option: 90% stainless with some zinc/nickel plated hardware.
- SS Option: 100% stainless steel with 440C stainless bearings



Specifications

Dimensions in Inches/Pounds. [CAD Files & Spec Sheets](#)

WHEEL DIA	TREAD WIDTH	NO. OF WHEELS	OVERALL HEIGHT	SWIVEL RADIUS	KINGPIN ID	WHEEL MATERIAL	WHEEL BEARING	LOAD CAPACITY
3.00	2.50	2	4.13	3.85	0.88	PHENOLIC	PLAIN	800
						POLYURETHANE	DELFIN	900
							PRECISION	1000

Mounting Options

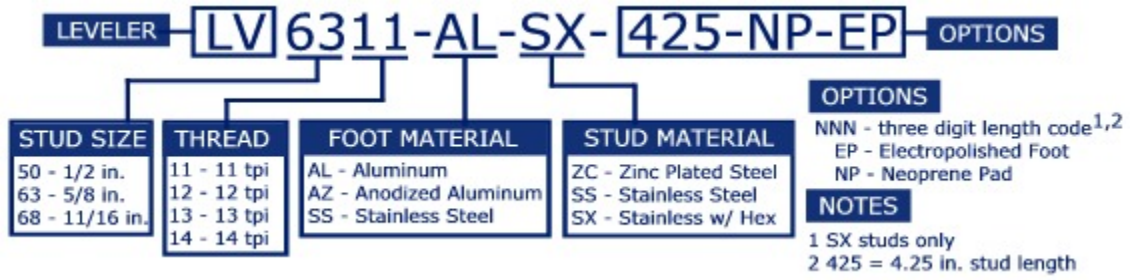
SQUARE BASEPLATE (SB)	CORNER BASEPLATE (CB)	HOLLOW KINGPIN (HK)

NOTES

- the 1000 Series Corner Baseplate is designed for mounting on frames with 90 degree corners that are constructed from rectangular or square tubing between 1.5 in. and 2.0 in. in width. It also mounts to many extruded aluminum profiles. See [Mounting Options](#) for an overview.
- for the Hollow Kingpin version, subtract 0.13 in. from the overall height.
- the Hollow Kingpin version becomes a stem caster of any length by inserting a 7/8" fastener through the Kingpin ID. It is also possible to attach it with a 5/8" bolt by using one of our threaded inserts.
- proper support is required for the upper raceway when using the Hollow Kingpin mounting option.

[BACK TO TOP](#)

1/2-13 LEVELERS (1/2 IN. STUD)



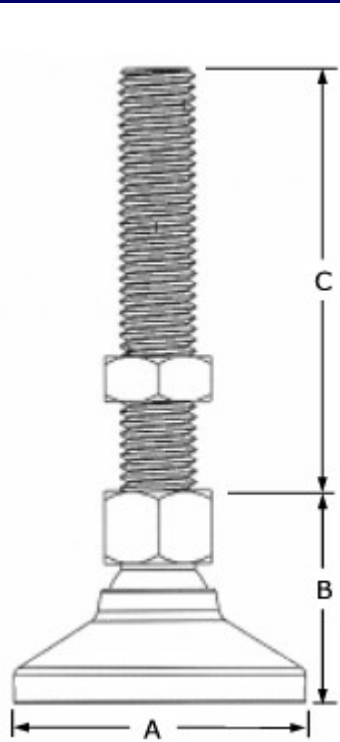
PART NO.	DESCRIPTION
LV5013-AL-ZC	1/2-13 X 3.0 Leveler: Aluminum Foot, Zinc Stl Stud
LV5013-AL-SS	1/2-13 X 3.0 Leveler: Aluminum Foot, SS Stud
LV5013-AL-SX	1/2-13 X 3.0 Leveler: Aluminum Foot, SS Hex Stud
LV5013-AZ-SS	1/2-13 X 3.0 Leveler: Anodized Foot, SS Stud
LV5013-AZ-SX	1/2-13 X 3.0 Leveler: Anodized Foot, SS Hex Stud
LV5014-AZ-SX	1/2-14 X 3.0 Leveler: Anodized Foot, SS Hex Stud
LV5013-SS-SS	1/2-13 X 3.0 Leveler: Stainless Foot, SS Stud
LV5013-SS-SX	1/2-13 X 3.0 Leveler: Stainless Foot, SS Hex Stud
LV5014-SS-SX	1/2-14 X 3.0 Leveler: Stainless Foot, SS Hex Stud

LEVELERS

Our high quality levelers are ideally suited for applications in the semiconductor, biotech, medical, and pharmaceutical industries. They are built to order with your choice of pad and stud material. A hardened stainless stud with an integral hex socket can be ordered for overhead hex adjustment under load conditions. Many custom options also available.

Quality Features

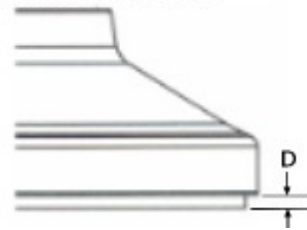
- attractive CNC machined surface finish
- specially contoured ball socket substantially reduces friction and galling for ease of adjustment
- anodized & stainless models have a CNC machined stainless ball and hex rolled vs. crimped ball socket
- fully threaded stud for full retraction
- anodized aluminum foot has excellent corrosion resistance and can be a cost-effective alternative to stainless
- levelers with hex socket allow fast and easy overhead adjustment
- class 2 threads



OPTIONAL HEX SOCKET
Available on stainless leveler studs

OPTIONAL NEOPRENE PAD

Our levelers are also offered with a neoprene pad that is structurally bonded to the base of the leveler foot. This eliminates the transmission of noise from mechanical vibrations.



Specifications

Dimensions in Inches/Pounds. [CAD Files & Spec Sheets](#)

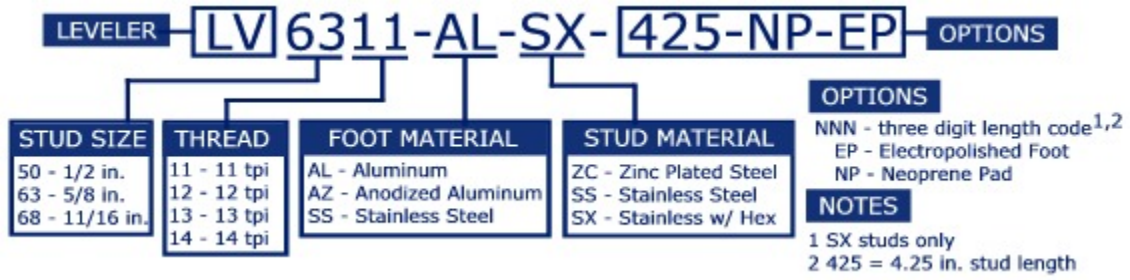
STUD THREAD	PAD DIA (A)	RETRACT LEN. (B)	STUD LEN. (C)	FOOT MATERIAL	STUD MATERIAL	LOAD CAP.	D
1/2-13	1.88	1.30	3.00 ¹	ALUMINUM	ZINC PLATED STEEL	500	1/16
					STAINLESS		
					STAINLESS w/ HEX		
				ANODIZED	STAINLESS		
					STAINLESS w/ HEX		
					STAINLESS		
5/8-11	2.38	1.75	3.50 ²	ALUMINUM	ZINC PLATED STEEL	1000	1/16
					STAINLESS		
					STAINLESS w/ HEX		
				ANODIZED	STAINLESS		
					STAINLESS w/ HEX		
					STAINLESS		
STAINLESS	STAINLESS						
	STAINLESS w/ HEX						

NOTES

- non-standard stainless hex stud stock lengths:
 1. **1/2-13**: 4.50, 6.00 in.
 2. **5/8-11**: 5.00, 6.50, 8.00 in.
- other lengths and modifications available.
- plain aluminum feet should not be used in aqueous or acidic environments.

[BACK TO TOP](#)

5/8-11 LEVELERS (5/8 IN. STUD)



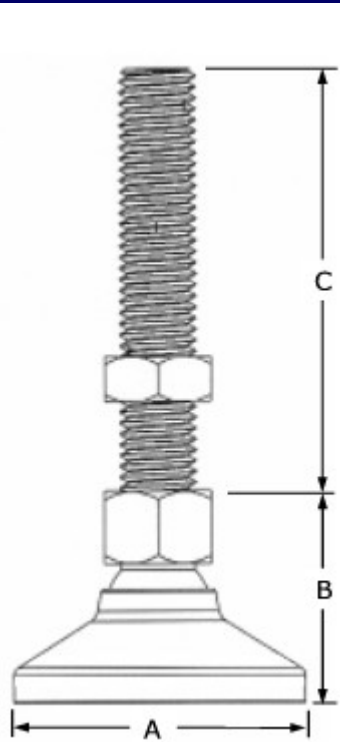
PART NO.	DESCRIPTION
LV6311-AL-ZC	5/8-11 X 3.5 Leveler: Aluminum Foot, Zinc Stl Stud
LV6311-AL-SS	5/8-11 X 3.5 Leveler: Aluminum Foot, SS Stud
LV6311-AL-SX	5/8-11 X 3.5 Leveler: Aluminum Foot, SS Hex Stud
LV6311-AZ-SS	5/8-11 X 3.5 Leveler: Anodized Foot, SS Stud
LV6311-AZ-SX	5/8-11 X 3.5 Leveler: Anodized Foot, SS Hex Stud
LV6312-AZ-SX	5/8-12 X 3.5 Leveler: Anodized Foot, SS Hex Stud
LV6311-SS-SS	5/8-11 X 3.5 Leveler: Stainless Foot, SS Stud
LV6311-SS-SX	5/8-11 X 3.5 Leveler: Stainless Foot, SS Hex Stud
LV6312-SS-SX	5/8-12 X 3.5 Leveler: Stainless Foot, SS Hex Stud

LEVELERS

Our high quality levelers are ideally suited for applications in the semiconductor, biotech, medical, and pharmaceutical industries. They are built to order with your choice of pad and stud material. A hardened stainless stud with an integral hex socket can be ordered for overhead hex adjustment under load conditions. Many custom options also available.

Quality Features

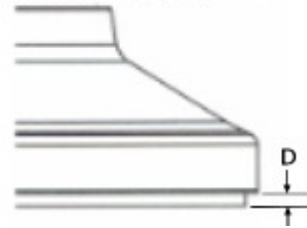
- attractive CNC machined surface finish
- specially contoured ball socket substantially reduces friction and galling for ease of adjustment
- anodized & stainless models have a CNC machined stainless ball and hex rolled vs. crimped ball socket
- fully threaded stud for full retraction
- anodized aluminum foot has excellent corrosion resistance and can be a cost-effective alternative to stainless
- levelers with hex socket allow fast and easy overhead adjustment
- class 2 threads



OPTIONAL HEX SOCKET
Available on stainless leveler studs

OPTIONAL NEOPRENE PAD

Our levelers are also offered with a neoprene pad that is structurally bonded to the base of the leveler foot. This eliminates the transmission of noise from mechanical vibrations.



Specifications

Dimensions in Inches/Pounds. [CAD Files & Spec Sheets](#)

STUD THREAD	PAD DIA (A)	RETRACT LEN. (B)	STUD LEN. (C)	FOOT MATERIAL	STUD MATERIAL	LOAD CAP.	D
1/2-13	1.88	1.30	3.00 ¹	ALUMINUM	ZINC PLATED STEEL	500	1/16
					STAINLESS		
					STAINLESS w/ HEX		
				ANODIZED	STAINLESS		
					STAINLESS w/ HEX		
					STAINLESS		
5/8-11	2.38	1.75	3.50 ²	ALUMINUM	ZINC PLATED STEEL	1000	1/16
					STAINLESS		
					STAINLESS w/ HEX		
				ANODIZED	STAINLESS		
					STAINLESS w/ HEX		
					STAINLESS		
STAINLESS	STAINLESS						
	STAINLESS w/ HEX						

NOTES

- non-standard stainless hex stud stock lengths:
 1. **1/2-13:** 4.50, 6.00 in.
 2. **5/8-11:** 5.00, 6.50, 8.00 in.
- other lengths and modifications available.
- plain aluminum feet should not be used in aqueous or acidic environments.

[BACK TO TOP](#)

11/16-12 LEVELERS (11/16 IN. STUD)

PART NO.	DESCRIPTION
LV6812-AZ-SX	11/16-12 X 3.5 Leveler: Anodized Ft, SS Hex Stud
LV6812-SS-SX	11/16-12 X 3.5 Leveler: Stainless Ft, SS Hex Stud

1/2-13 LEVELER MOUNTS

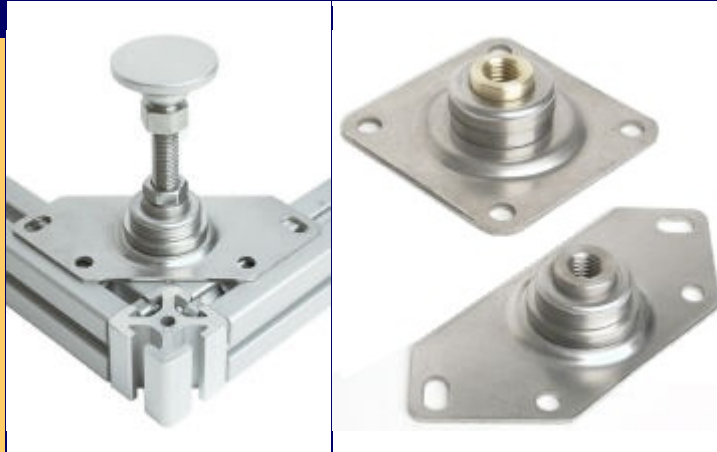
PART NO.	DESCRIPTION
LM5013-SB-BS	1/2-13 Leveler Mount: Square Baseplate, Brass Insert
LM5013-SB-SS	1/2-13 Leveler Mount: Square Baseplate, Stainless Insert
LM5013-CB-BS	1/2-13 Leveler Mount: Corner Baseplate, Brass Insert
LM5013-CB-SS	1/2-13 Leveler Mount: Corner Baseplate, Stainless Insert

LEVELER MOUNTS

Our industrial Leveling Mounts facilitate the proper installation of a leveling component on tubular steel frames or those made from aluminum extrusions. The corner baseplate mounting option allows the leveler stud to come out on the inside frame corner so it can be adjusted and secured from above. With one set of holes on a frame, it is now possible to install a caster, leveler, or a leveling caster.

Product Features

- square & corner baseplate mounting
- tempered stainless baseplate with deep drawn stainless kingpin
- possible to mount a caster, a leveler, or leveling caster with a single set of mounting holes
- easily replaced in the event of a leveler strike vs. frame damage
- cost effective vs. custom machined parts, gussets, and threaded legs
- overhead leveler adjustment possible with corner baseplate
- compatible with our seismic restraints

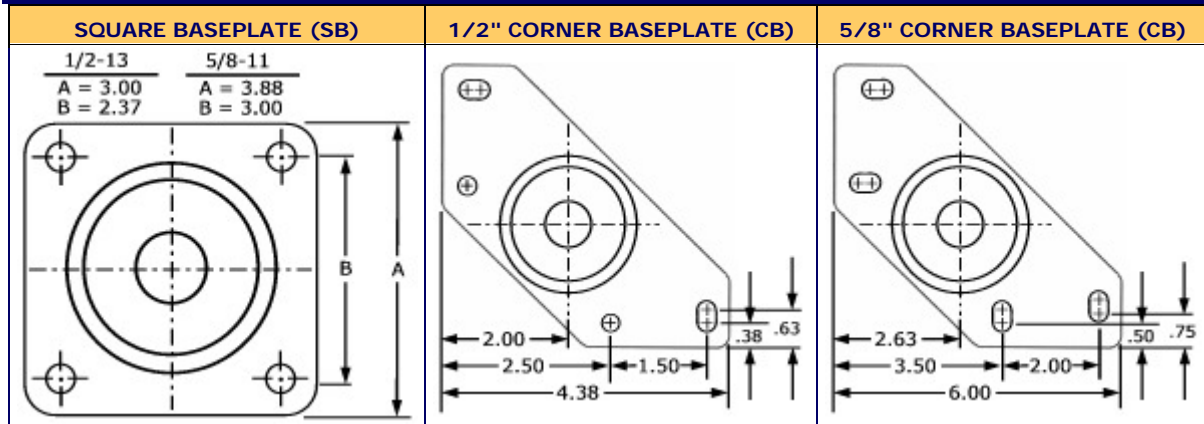


Specifications

All Dimensions in Inches/Pounds **CAD Files & Spec Sheets**

LEVELER SIZE	LOAD CAPACITY	OVERALL HEIGHT	MTG BOLT SIZE	MOUNTING OPTIONS	INSERT MATL
1/2 - 13	500	1.06	5/16 (M8)	SQUARE BASEPLATE	BRASS
					STAINLESS
				CORNER BASEPLATE	BRASS
					STAINLESS
5/8-11	1000	1.25	3/8	SQUARE BASEPLATE	BRASS
					STAINLESS
				CORNER BASEPLATE	BRASS
					STAINLESS

Mounting Options



[BACK TO TOP](#)

5/8-11 LEVELER MOUNTS

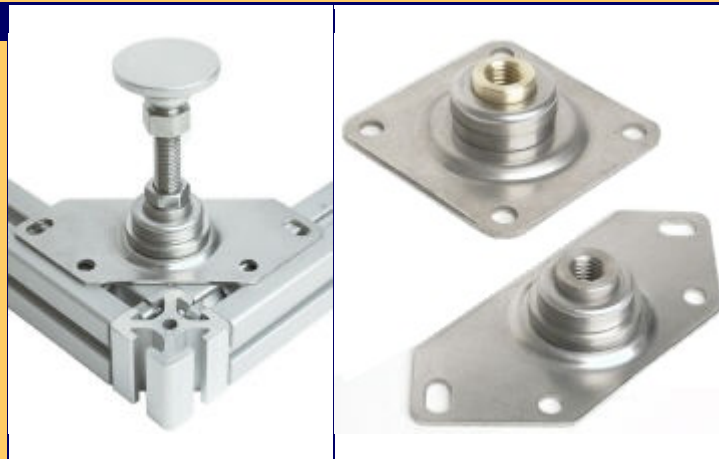
PART NO.	DESCRIPTION
LM6311-SB-BS	5/8-11 Leveler Mount: Square Baseplate, Brass Insert
LM6311-SB-SS	5/8-11 Leveler Mount: Square Baseplate, Stainless Insert
LM6311-CB-BS	5/8-11 Leveler Mount: Corner Baseplate, Brass Insert
LM6311-CB-SS	5/8-11 Leveler Mount: Corner Baseplate, SS Insert

LEVELER MOUNTS

Our industrial Leveling Mounts facilitate the proper installation of a leveling component on tubular steel frames or those made from aluminum extrusions. The corner baseplate mounting option allows the leveler stud to come out on the inside frame corner so it can be adjusted and secured from above. With one set of holes on a frame, it is now possible to install a caster, leveler, or a leveling caster.

Product Features

- square & corner baseplate mounting
- tempered stainless baseplate with deep drawn stainless kingpin
- possible to mount a caster, a leveler, or leveling caster with a single set of mounting holes
- easily replaced in the event of a leveler strike vs. frame damage
- cost effective vs. custom machined parts, gussets, and threaded legs
- overhead leveler adjustment possible with corner baseplate
- compatible with our seismic restraints

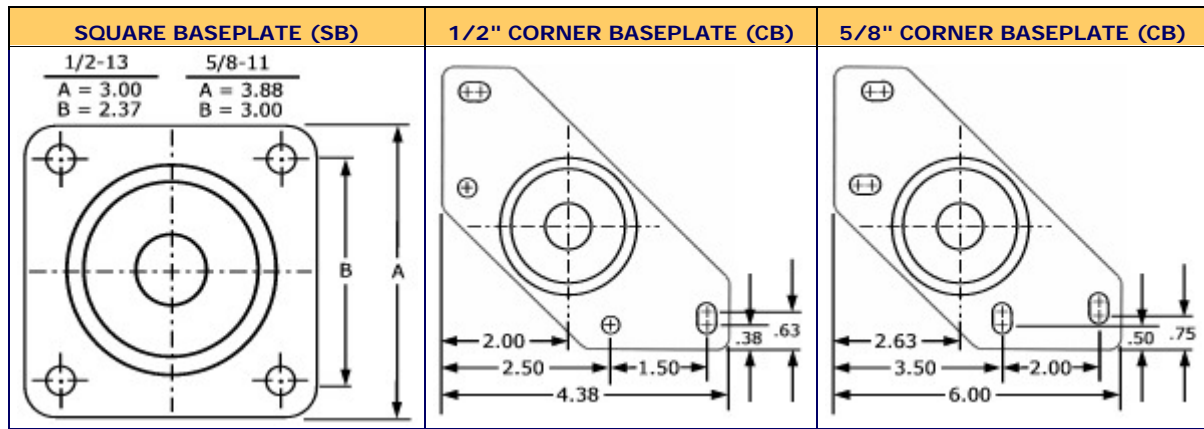


Specifications

All Dimensions in Inches/Pounds [CAD Files & Spec Sheets](#)

LEVELER SIZE	LOAD CAPACITY	OVERALL HEIGHT	MTG BOLT SIZE	MOUNTING OPTIONS	INSERT MATL
1/2 - 13	500	1.06	5/16 (M8)	SQUARE BASEPLATE	BRASS
				CORNER BASEPLATE	STAINLESS
5/8-11	1000	1.25	3/8	SQUARE BASEPLATE	BRASS
				CORNER BASEPLATE	STAINLESS

Mounting Options



[BACK TO TOP](#)

SEISMIC RESTRAINTS

PART NO.	DESCRIPTION
XA-LVRT50	1/2 in. High Strength Stainless Seismic Restraint
XA-LVRT63	5/8 in. High Strength Stainless Seismic Restraint